

Summary

Map Number/Account Number 136-0000 112.00 / 386510001
 Tax District County (00)
 Description 2385 DEASON LN LOTS 7A & 8A
 (Note: Not to be used on legal documents)
 Tax Rates [See Tax Rates](#)
 Location Address 2385 DEASON LN
 Deed Book 651
 Deed Page 450

[View Map](#)



Owner

Lyons Deborah K
 2385 Deason Ln
 Hopkinsville KY 42240

Value Information

	2021 Working Tax Roll Assessment	2020 Certified Tax Roll Assessment
Residential Value	\$185,000	\$185,000
Commercial Value	\$0	\$0
Mobile Home Value	\$0	\$0
Farm Tax Value	\$0	\$0
Farm Fair Cash Value	\$0	\$0
TC Build Value	\$0	\$0
TC Land Value	\$0	\$0
LS Hold Value	\$0	\$0
Homestead	No	No

Most Recent Sale

Sale Date	Sale Price	Deed Book	Deed Page	Previous Owner
7/1/1994	\$8,000	651	450	CASTILE DANNY H

Land Information

Class	RESIDENTIAL	Sidewalks	N
Lot Size	0	Topography	
Frontage	0	Zoning Code	
Depth	0	Subdivision	
Acreage	0	Unit	
Type	RESIDENTIAL	Block	
Drive Type	G	Lot	
Flood Type	N	Land Value	\$10,000
Utility Type			

Residential Improvement Information

Res Type	SINGLE FMLY	Heat	GAS
Year Built	2007	AC	CENTRAL
Foundation	BRICK ON BLOCK	Total Rooms	0
Basement	NONE	Value	\$0
Exterior	VINYL	Living Sqft	1934
Bedrooms	3	Basement Sqft	0
Full Bath	2	Garage Sqft	1208
Half Bath	1	Porch Sqft	0
Roof Cover	CPSN SHGLS	Patio/Deck Sqft	0
Roof Type	GABLE	Basement Finish	0
Res Cond		Structure	1 STORY
Fireplaces	0	Garage	OTHER

Sale Information

Sale Date	Sale Price	Deed Book	Deed Page	Previous Owner
7/1/1994	\$8,000	651	450	CASTILE DANNY H

Recent Sales In Area

Sale date range:
From: 01 / 01 / 2013 To: 09 / 10 / 2021

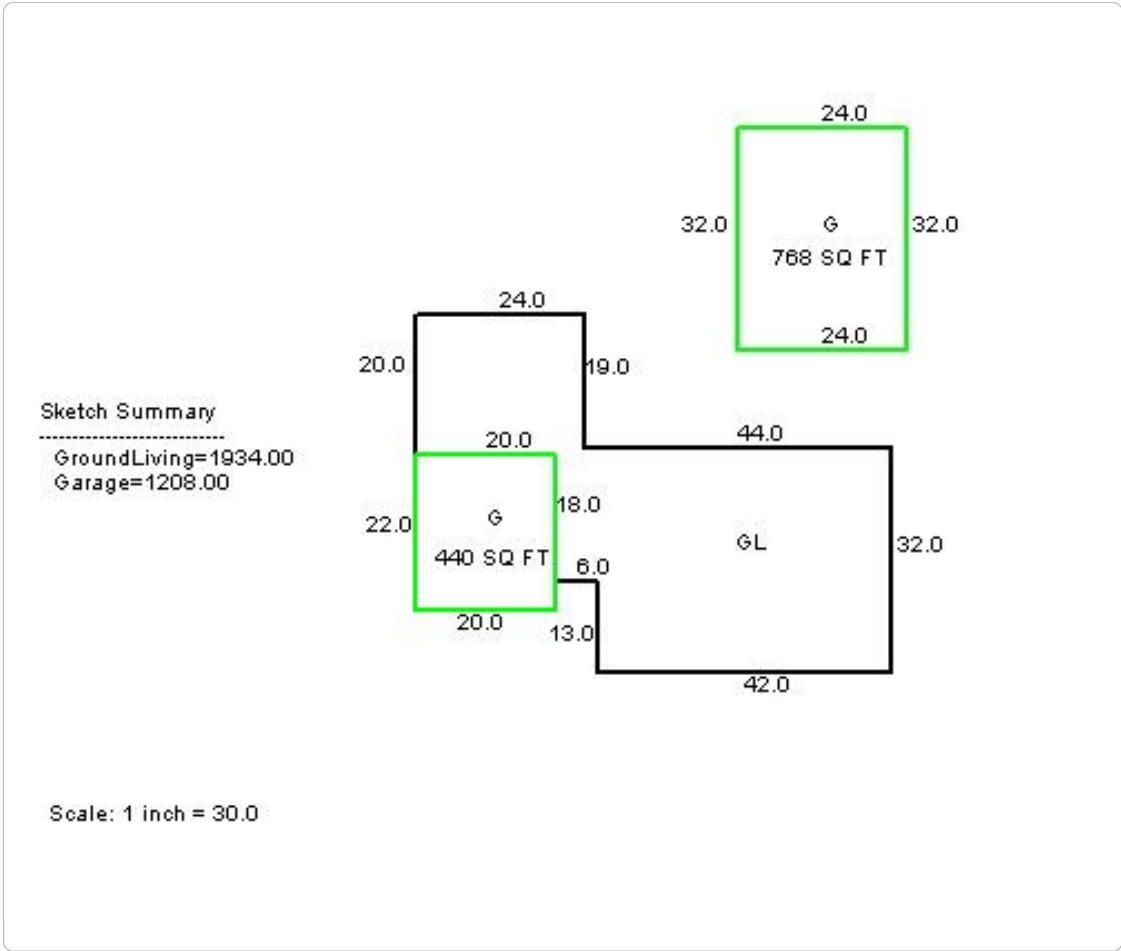
Recent Sales in Area

1500 Feet Sales by Distance

Photos



Sketches



No data available for the following modules: Mobile Home Information, Commercial Information.

The Christian County Assessor's Office makes every effort to produce the most accurate information possible. No warranties, expressed or implied, are provided for the data herein, its use or interpretation.

[User Privacy Policy](#)
[GDPR Privacy Notice](#)

Last Data Upload: 9/1/2021, 12:55:20 PM

Developed by
 Schneider
 GEOSPATIAL

Version 2.3.146